



### Product Description

The OB1 variable backreflector enables precise backreflection control and superior repeatability. It can be used as a benchtop or rackmount instrument.

The OB1 is ideal for lab and production applications including transceiver testing, QA testing, laser production and automated test systems.

The OB1 variable backreflector offers  $\pm 0.02$ dB repeatability and a range of 60dB in single-mode and 35 dB in multimode. The OB1 can be controlled via the front panel touch screen, or remotely via USB & Ethernet.

The OB1 series variable backreflectors operate from 1200-1700 for singlemode and 750-1700 for multimode. A 50/50 coupler can be added to bypass the variable backreflector for input signal monitoring.

### KEY FEATURES

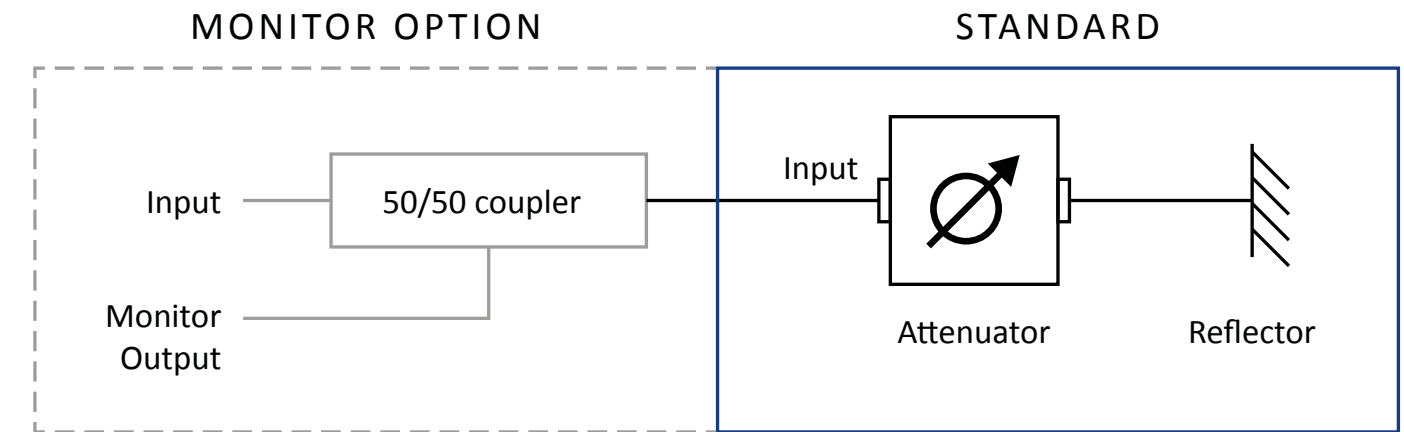
- $\pm 0.2$  dB relative accuracy
- $\pm 0.02$  repeatability
- 60 dB range
- Available in single-mode or multimode
- Transceiver testing
- QA testing
- Laser production

### COMPLIANCE

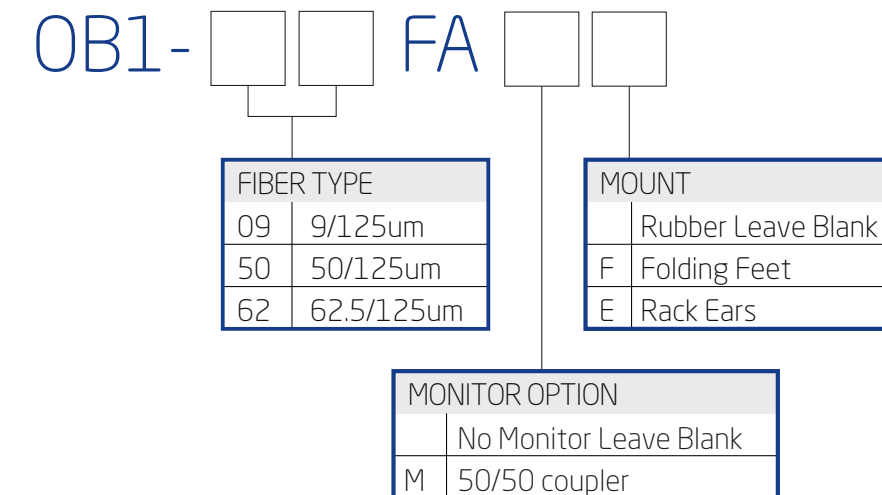
- UL/CSA 61010
- IEC 61010
- FCC Part 15 (Class A)
- EN 61326 (Class A)

### IN THE BOX

- OB1
- AC power cord
- USB-A to USB-B (1.5m)
- Ethernet cable (1.5m)



### Ordering Scheme



## Optical/Electrical Specifications

Parameter	Specification	
	Singlemode	Multimode
Fiber Type (um)	9/125	50/125 62.5/125
Wavelength Range (nm)	1200-1700	750-1700
Range (dB)	5 to 60	5 to 35
Range with monitor option (dB)	9.5 to 60	9.5 to 35
IL with monitor option (dB)	< 4.0 <sup>1</sup>	
Relative mode accuracy (dB)	± 0.2	
Resolution (dB)	0.01	
PDL with monitor option (dB)	< 0.1	N/A
Repeatability (dB)	± 0.02	
Max. Optical Input Power (dBm)	23 (200mw)	
Input Voltage	110 - 220 V AC, 50 - 60 Hz	
Interface	Ethernet / USB	

Notes:

<sup>1</sup> Excluding connectors.

## Mechanical/Environmental Specifications

Parameter	Specification
Unit Dimensions W x H x D (cm)	23.5 x 12 x 32.5 (2U half rack)
Shipping Box Dimensions W x H x D (cm)	36.5 x 39 x 53
Unit Weight (kg)	8
Total Shipment Weight (kg)	9
Operating Temperature (°C)	0 to 55

