

Terbium Gallium Garnet Based Polarization Maintaining 850/980/1060 Optical Circulator

(patents pending)

Product Description

The OC Series Terbium Gallium Garnet based 850/980/1060nm Optical Circulators are non-reciprocal devices that redirect light at 850/980/1060 nm from port-to-port in only one direction while minimizing back reflection and back scattering in the reverse directions for any state of polarization. With Agiltron's patent pending magnetic-optics technology and proven advanced micro optics design, the circulator features low insertion loss, high isolation, compact structure, high power handling, and high stability. The excellent characteristics of this product make it an ideal choice for application in fiber amplifier systems, pump laser diodes, and optical fiber sensors. Agiltron also provides customized design to meet special applications.



Performance Specifications

OC Series TGG based 850/980/1060 nm Fiberoptic Circulator	PM	Min	Typical	Max	Unit
Operation Wavelength	850	840		860	nm
	980	970		990	
	1060	1050		1070	
Insertion Loss ¹			1.0	1.5	dB
Wavelength Dependent Loss				0.2	dB
Isolation		20	25		dB
Extinction Ratio		20	25		dB
Cross Talk		45	50		dB
Return Loss		50			dB
Optical Power Handling			500		mW
Storage Temperature		-10		60	°C
Fiber Type	See order information				
Package Dimension	(L)96x(W)34X(H)33				mm

¹. Excluding connectors

Features

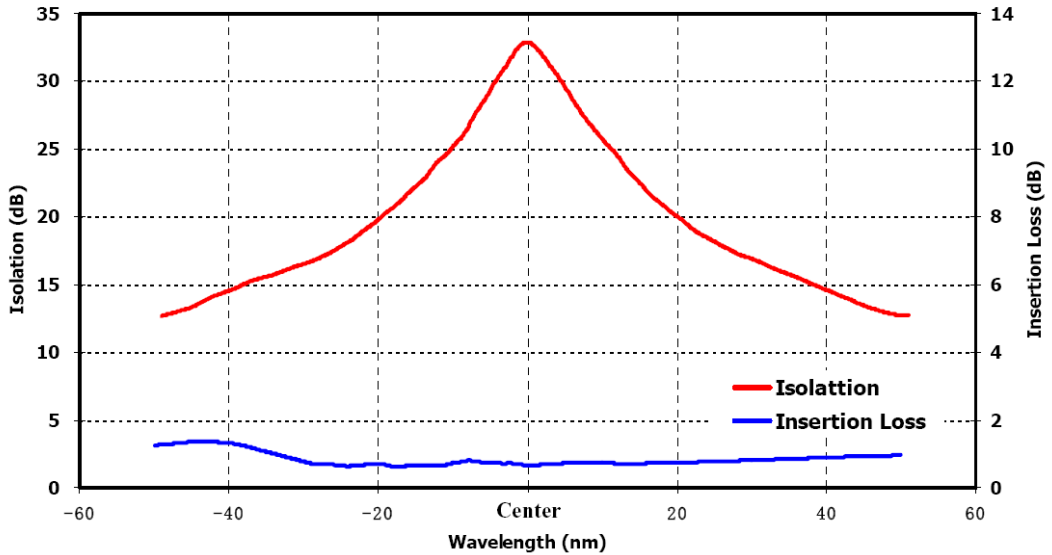
- Low Insertion Loss
- High Isolation
- Low PDL
- High Reliability & Stability
- Cost Effective

Applications

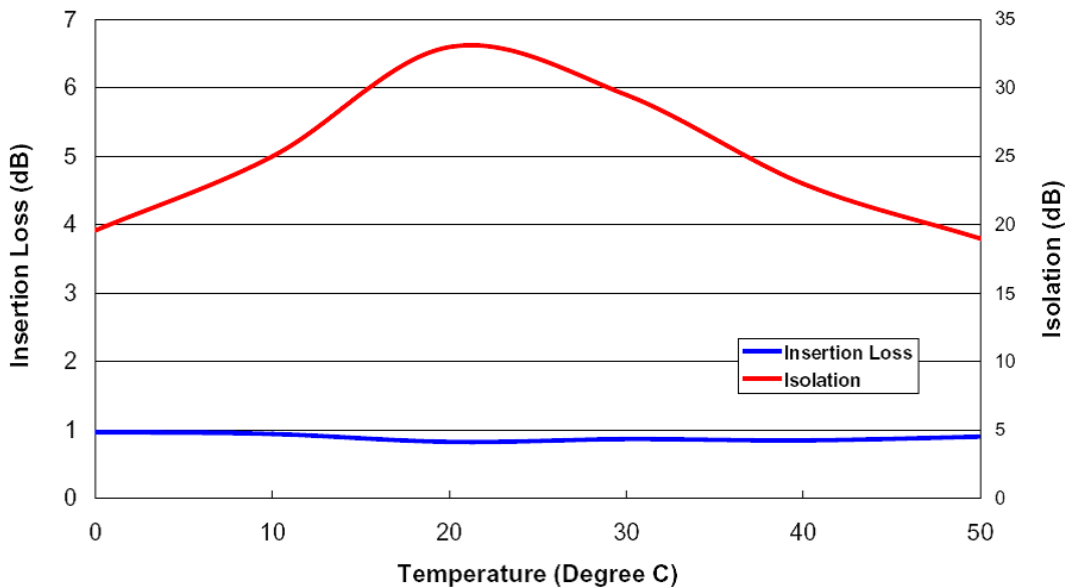
- Optical Fiber Amplifier
- Pump Laser Source
- Fiber Optic Sensor
- Test and Measurement
- Instrumentation

Terbium Gallium Garnet Based Polarization Maintaining 850/980/1060 Optical Circulator

Optical Performance

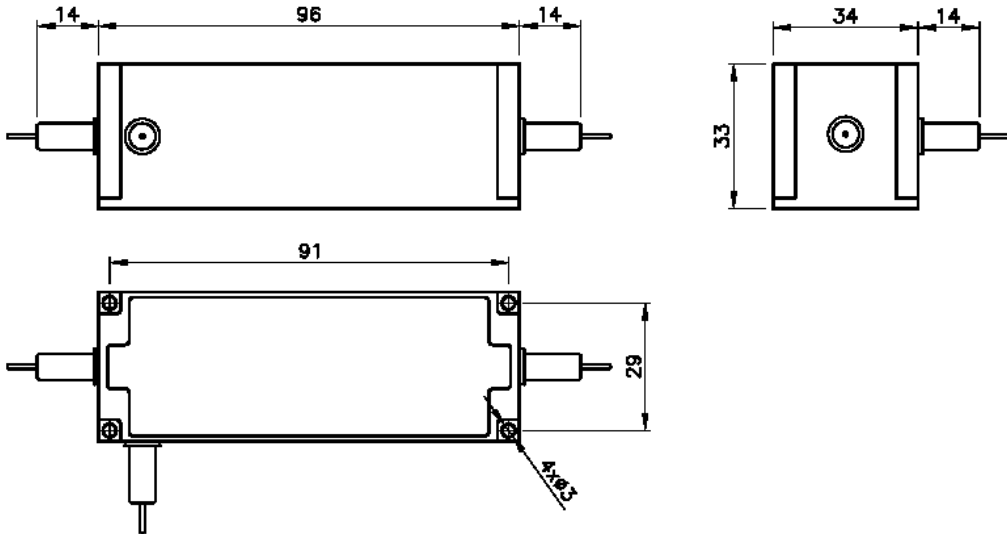


IL/Iso Vs. Temp @ Center Wavelength



Terbium Gallium Garnet Based Polarization Maintaining 850/980/1060 Optical Circulator

Mechanical Dimensions (Unit:mm)



Ordering Information

OCST-	<input type="checkbox"/>	<input type="checkbox"/>	<input type="checkbox"/>	<input type="checkbox"/>	<input type="checkbox"/>	<input type="checkbox"/>	<input type="checkbox"/>	<input type="checkbox"/>
Type	Wavelength	Grade	Package	Fiber Type	Fiber Length	Connector		
Polarization Maintaining=12 Special=10	1060=1 850=8 980=9 Special=0	Standard=1 Special=0	Standard=1 Special=0	PM850=D PM980=E Special=0	Bare fiber=1 900um Loose tube=3 Special=0	0.25M=1 0.5M=2 1.0M=3 Special=0	None=1 FC/PC=2 FC/APC=3 SC/PC=4 SC/APC=5 ST/PC=6 LC=7 Special=0	